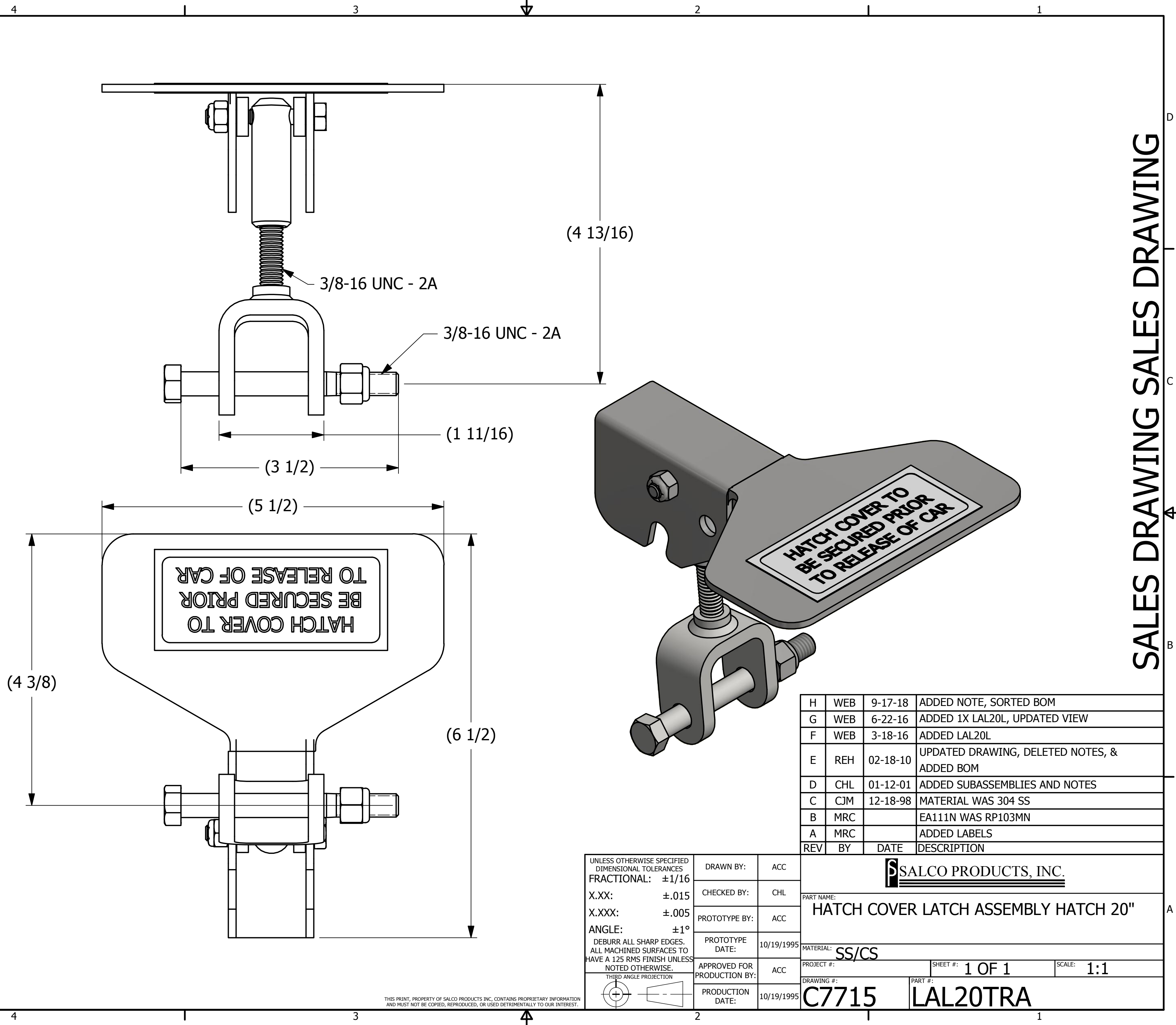


SALES DRAWING SALES DRAWING

SALES DRAWING SALES DRAWING



REV	BY	DATE	DESCRIPTION
H	WEB	9-17-18	ADDED NOTE, SORTED BOM
G	WEB	6-22-16	ADDED 1X LAL20L, UPDATED VIEW
F	WEB	3-18-16	ADDED LAL20L
E	REH	02-18-10	UPDATED DRAWING, DELETED NOTES, & ADDED BOM
D	CHL	01-12-01	ADDED SUBASSEMBLIES AND NOTES
C	CJM	12-18-98	MATERIAL WAS 304 SS
B	MRC		EA111N WAS RP103MN
A	MRC		ADDED LABELS

UNLESS OTHERWISE SPECIFIED DIMENSIONAL TOLERANCES FRACTIONAL: $\pm 1/16$ X.XX: $\pm .015$ X.XXX: $\pm .005$ ANGLE: $\pm 1^\circ$ DEBURR ALL SHARP EDGES. ALL MACHINED SURFACES TO HAVE A 125 RMS FINISH UNLESS NOTED OTHERWISE.	DRAWN BY:	ACC
	CHECKED BY:	CHL
	PROTOTYPE BY:	ACC
	PROTOTYPE DATE:	10/19/1995
	APPROVED FOR PRODUCTION BY:	ACC
	PRODUCTION DATE:	10/19/1995

SALCO PRODUCTS, INC.		
PART NAME: HATCH COVER LATCH ASSEMBLY HATCH 20"		
MATERIAL: SS/CS		
PROJECT #:	SHEET #: 1 OF 1	SCALE: 1:1
DRAWING #: C7715	PART #: LAL20TRA	

THIS PRINT, PROPERTY OF SALCO PRODUCTS INC., CONTAINS PROPRIETARY INFORMATION AND MUST NOT BE COPIED, REPRODUCED, OR USED DETRIMENTALLY TO OUR INTEREST.

